

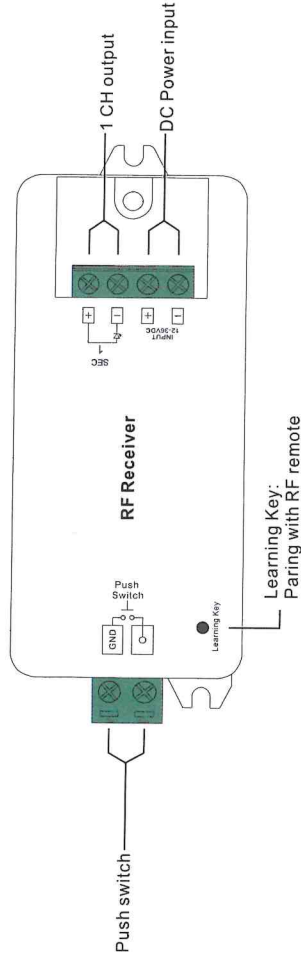
Universal series RF Receiver



70020006

Important: Read All Instructions Prior to Installation

Function introduction



Product Data

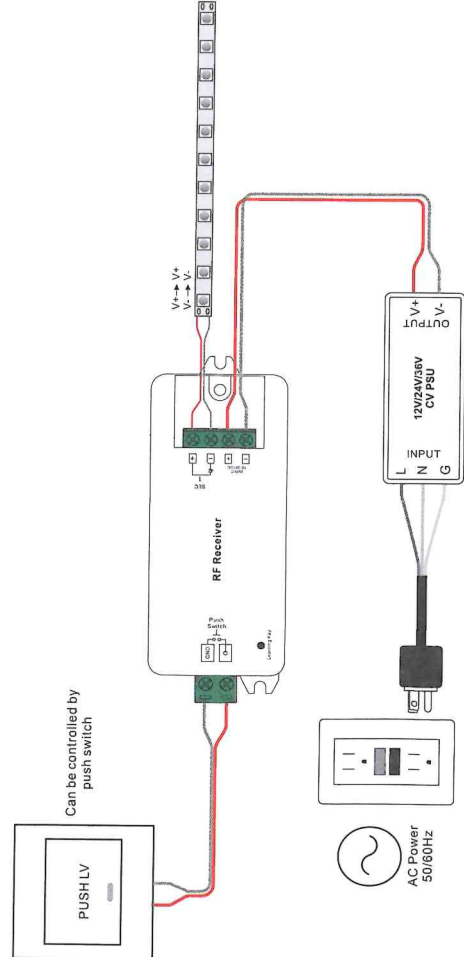
No.	Input Voltage	Output Current	Output Power	Remarks	Size(LxWxH)
1	12-36VDC	1x8A	1x(96-288)W	Constant voltage	95x37x20mm
2	12-36VDC	1x350mA	1x(4.2-12.6)W	Constant current	95x37x20mm
3	12-36VDC	1x700mA	1x(8.4-25.2)W	Constant current	95x37x20mm

- Radio Frequency : 868/869.5/916.5/434mhz
- Waterproof grade: IP20

Safety & Warnings

- DO NOT install with power applied to device.
- DO NOT expose the device to moisture.

Wiring Diagram



Pair/delete the pairing with RF remote

1. Do wiring according to connection diagram.
2. Pair RF Receiver with RF remote; please refer to the instruction of the remote that you would like to pair with.
3. Delete the pairing:

(1) Wire up the RF receiver correctly, power on.

(2) Press and hold down the "Learning Key" button on receiver for over 3 seconds until the connected light flashes, which means well deleted.

PUSH DIM:

While connected with PUSH LV, click the button to switch ON/OFF lights. Press and hold down the button to increase/decrease light intensity.

Product Dimension

